

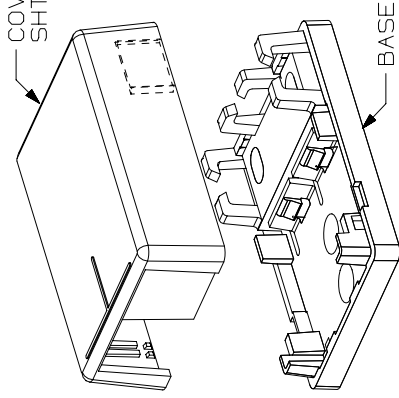
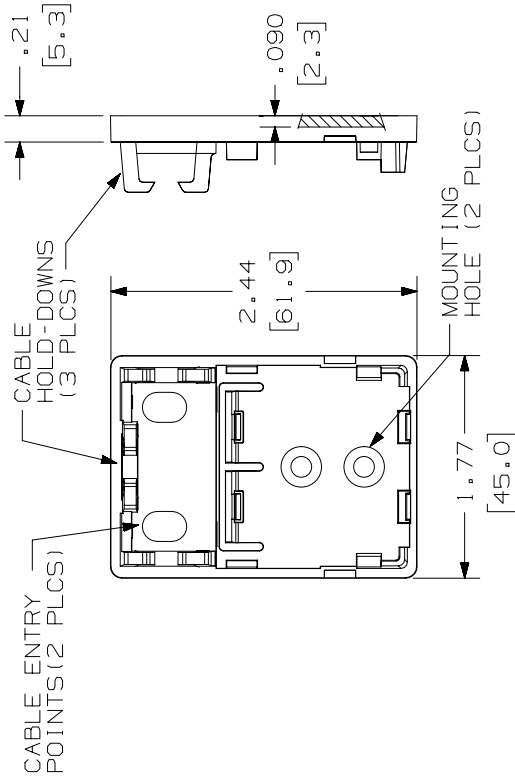
THIS COPY IS PROVIDED ON A RESTRICTED BASIS AND IS NOT TO BE USED IN ANY WAY DETRIMENTAL TO THE INTERESTS OF PANDUIT CORP.

NO WARRANTY, EXPRESSED OR IMPLIED, IS MADE BY PANDUIT WITH RESPECT TO ADHESIVE BOND PERFORMANCE. AMONG OTHER THINGS, THE CONDITIONS UNDER WHICH THESE MOUNTS MAY BE APPLIED AND/OR THE SURFACE TO WHICH THEY MAY BE APPLIED ARE BEYOND PANDUIT'S CONTROL.

PANDUIT P/N	WEIGHT
CBXJ2-A	5.20 LB/100 PCS (2368 g/100 PCS)

NOTES:

- SEE CURRENT CATALOG FOR ADDITIONAL PART NUMBER SUFFIXES TO INDICATE COLOR AND OR PACKAGE QUANTITY.
- SEE CATALOG FOR COMPLETE LIST OF PARTS APPLICABLE FOR USE WITH THIS PART.
- PART NUMBER: CBXJ2-A IS PROVIDED WITH ADHESIVE FOAM TAPE .04(1.0) THICK WITH PROTECTIVE LINER.
- OPTIONAL MAGNET (CBXM) ADHERES TO BOX BASE FOR MOUNTING ON METAL SURFACES.
- DIMENSIONS IN PARENTHESES ARE IN METRIC.



CAD FILENAME/LAYERS

D35089B1_CBXJ2_C_00

PANDUIT

CORP. TINLEY PARK, ILLINOIS

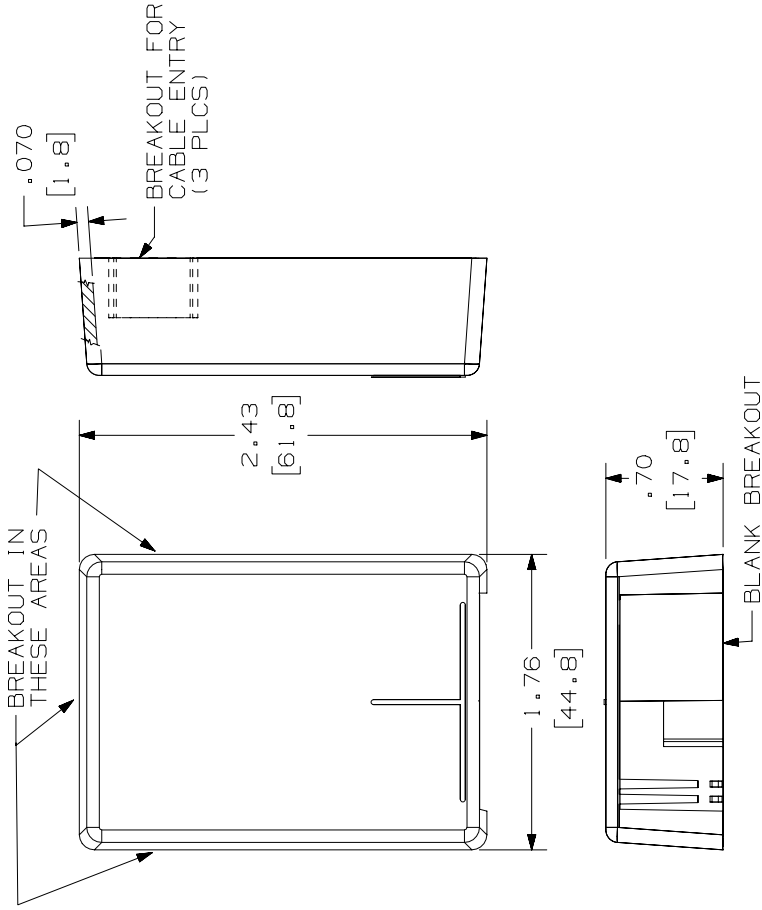
MINI-COM ONE/TWO MODULE SPACE MOUNT BOX (CBXJ2-A) CUSTOMER DWG

UNLESS OTHERWISE SPECIFIED, DIMENSIONAL TOLERANCES ARE:
(.X) ± (.XXX) ± .010 (.3)
(.XX) ± .03 (.8) ANGLES ±

UNLESS OTHERWISE SPECIFIED, ALL DIMENSIONS ARE GIVEN IN INCHES, THIRD ANGLE PROJECTION.

REV	DATE	BY	CHK	DESCRIPTION	ECN	CHK	CUST	SUP																																
R	10-27-95	DW		RELEASED TO PRODUCTION.	35089-03																																			
<table border="1" style="width:100%; border-collapse: collapse;"> <tr> <td style="width: 20%;">DRAWN BY</td> <td style="width: 20%;">DW</td> <td style="width: 20%;">MATERIAL</td> <td style="width: 40%;">NONE</td> </tr> <tr> <td>DATE</td> <td>10-27-95</td> <td></td> <td></td> </tr> <tr> <td>CHECKED BY</td> <td></td> <td></td> <td></td> </tr> <tr> <td colspan="2">SCALE</td> <td colspan="2">NONE</td> </tr> <tr> <td colspan="2">DRAWING NO.</td> <td colspan="2">35089-03</td> </tr> <tr> <td colspan="2">SHEET</td> <td colspan="2">1 OF 2</td> </tr> <tr> <td colspan="2">DWG</td> <td colspan="2">A</td> </tr> <tr> <td colspan="2">SIZE</td> <td colspan="2"></td> </tr> </table>									DRAWN BY	DW	MATERIAL	NONE	DATE	10-27-95			CHECKED BY				SCALE		NONE		DRAWING NO.		35089-03		SHEET		1 OF 2		DWG		A		SIZE			
DRAWN BY	DW	MATERIAL	NONE																																					
DATE	10-27-95																																							
CHECKED BY																																								
SCALE		NONE																																						
DRAWING NO.		35089-03																																						
SHEET		1 OF 2																																						
DWG		A																																						
SIZE																																								

THIS COPY IS PROVIDED ON A RESTRICTED BASIS AND IS NOT TO BE USED IN ANY WAY DETRIMENTAL TO THE INTERESTS OF PANDUIT CORP.



DIMENSIONS IN PARENTHESES ARE IN METRIC.

CAD FILENAME/LAYERS

D35089B1_CBXJ2_C_00

PANDUIT

CORP. TINLEY PARK, ILLINOIS

MINI-COM ONE/TWO MODULE SPACE
MOUNT BOX (CBXJ2-A) CUSTOMER DWG

UNLESS OTHERWISE SPECIFIED,
DIMENSIONAL TOLERANCES ARE:
(.X) ± .010(.3)
(.XX) ± .03(.8) ANGLES ±

UNLESS OTHERWISE SPECIFIED,
ALL DIMENSIONS ARE GIVEN
IN INCHES, THIRD ANGLE PROJECTION.

DRAWN BY DW MAT'L: NONE

DATE 10-27-95

CHECKED BY

ABS

SCALE NONE

DWG NO. 35089-03

SHT 2 OF 2

SIZE A

REV DATE BY CHK DESCRIPTION ECN CHK CUST SUP

R 10-27-95 DW FOR REVISION SEE SHT 1 OF 2. 35089-03